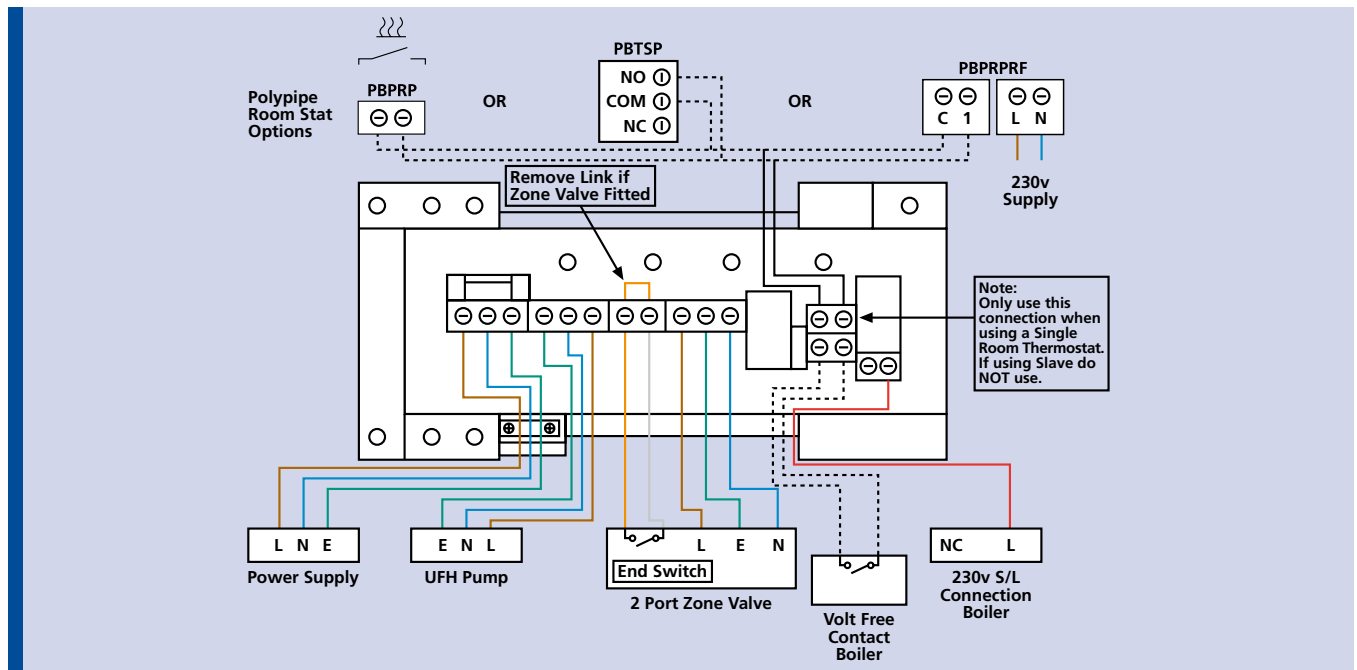


# Wiring centres

## Single zone master (PB1ZM):

When used in a 'single zone' application the master wiring centre (PB1ZM) provides the wiring connections for the underfloor heating pump, two-port zone valve, boiler switched live connection (230V or volt free) and the programmable room thermostat.

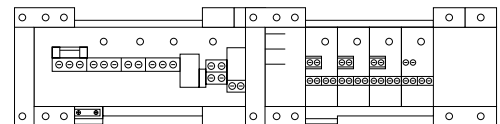
### Wiring details for single zone master unit (PB1ZM)



## 4 & 6 zone slave unit (PB4ZS & PB6ZS):

Where multiple room control is required the master wiring centre should be used in conjunction with the 4 or 6 zone slave units PB4ZS or PB6ZS. The slave units provide wiring connections for the programmable room thermostats and the manifold 2-wire actuators. Up to 4 actuators can be connected per zone.

The 4 and 6 Zone slave units, (PB4ZS & PB6ZS) and must be used in conjunction with the Single Zone Master (PB1ZM). The slave Unit simply plugs into the master Unit to provide additional connections for the required number of control zones.



### Wiring details for 4 zone and 6 zone slave (PB4ZS and PB6ZS)

